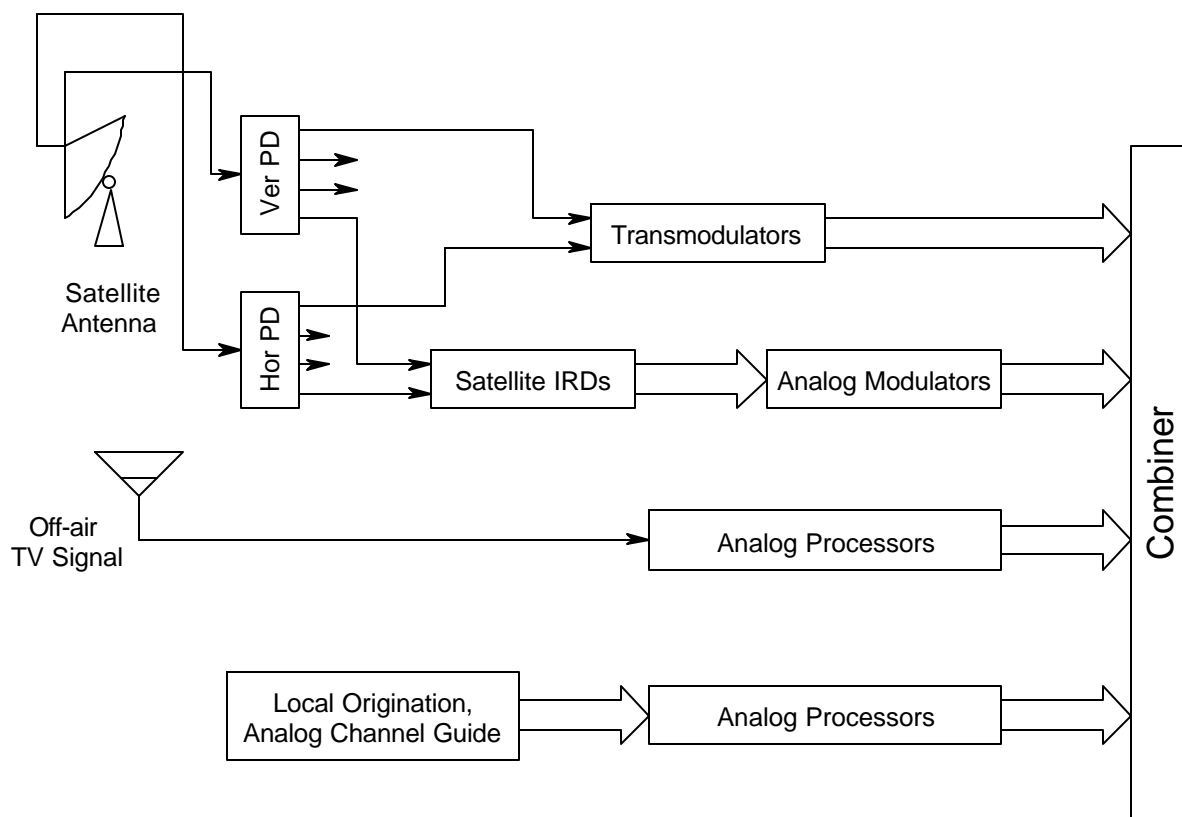


Analog Cable Television Headend



Cable Television Headend with HITS QT Capability